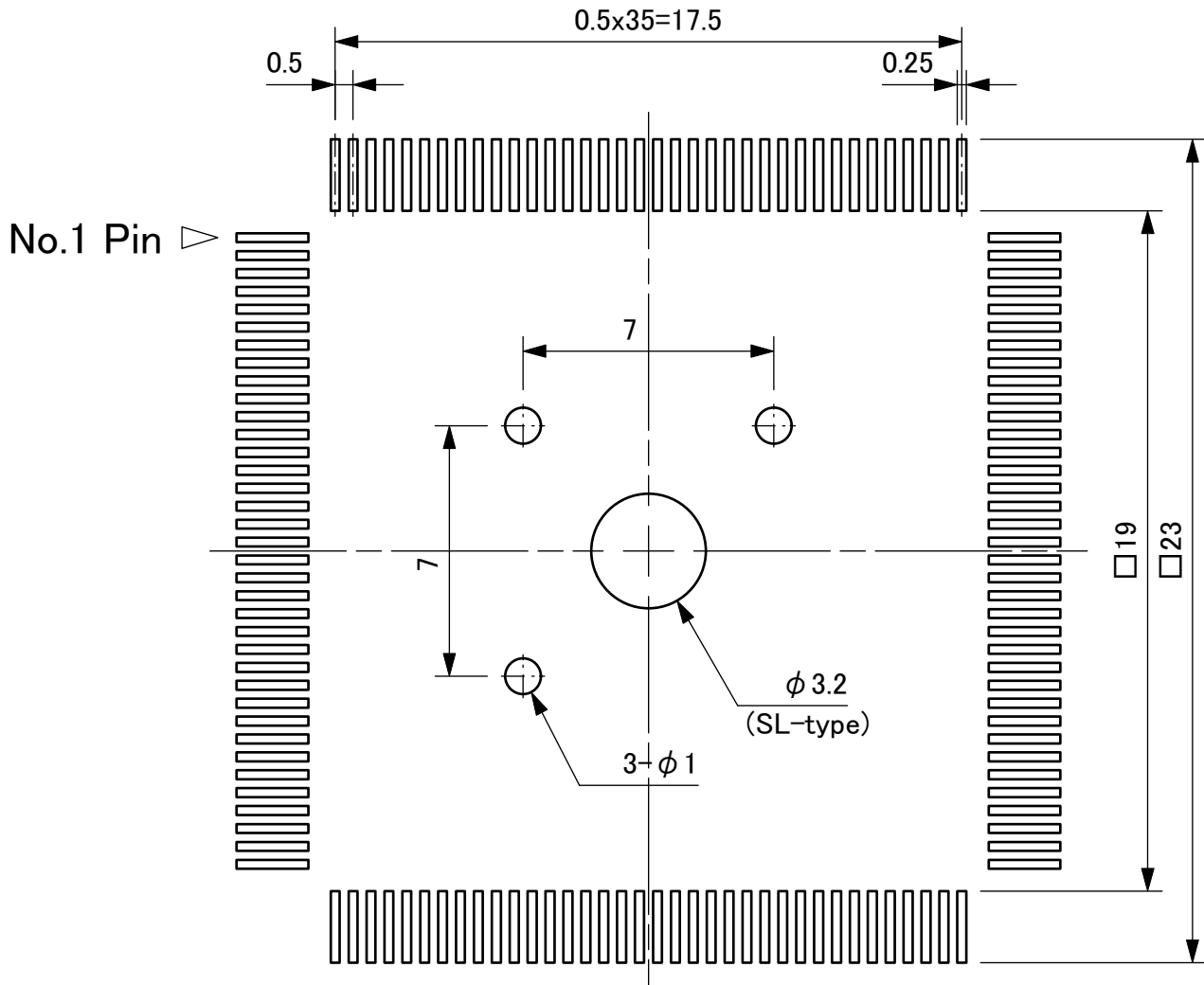


Recommended a Footprint pattern of NQPACK144SD-ND



* Recommended foot pattern shown on left is for NQPACK soldering.
 But please refer to IC package foot pattern recommended by IC manufacturer
 also, when the package is soldered on the same foot pattern.

Part No.	NQPACK144SD-ND
IC package	Square
Pin count	144Pin
Lead pitch	0.5
Unit	mm
Design / Date	M.Miura / Feb.24.'12
<i>TET</i> TOKYO ELETECH CORP.	