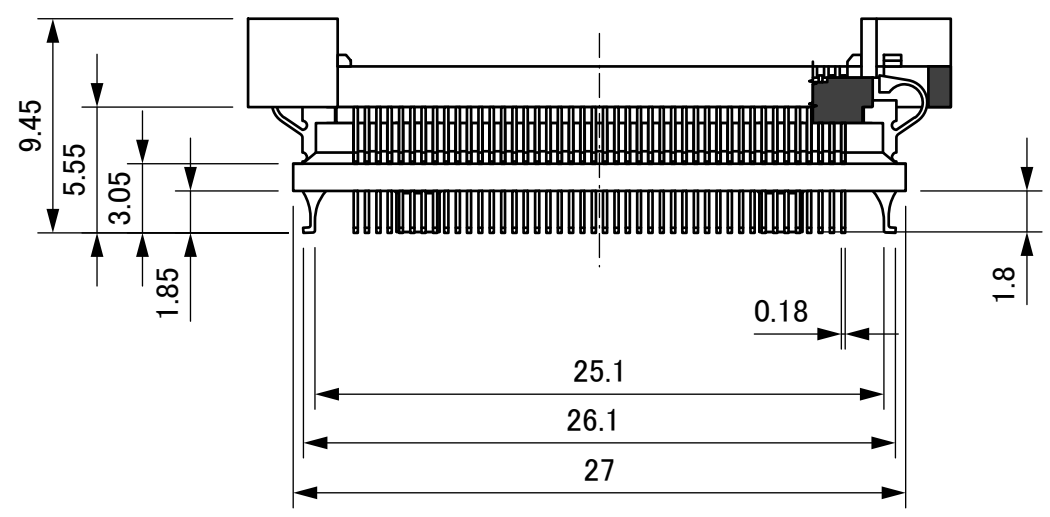
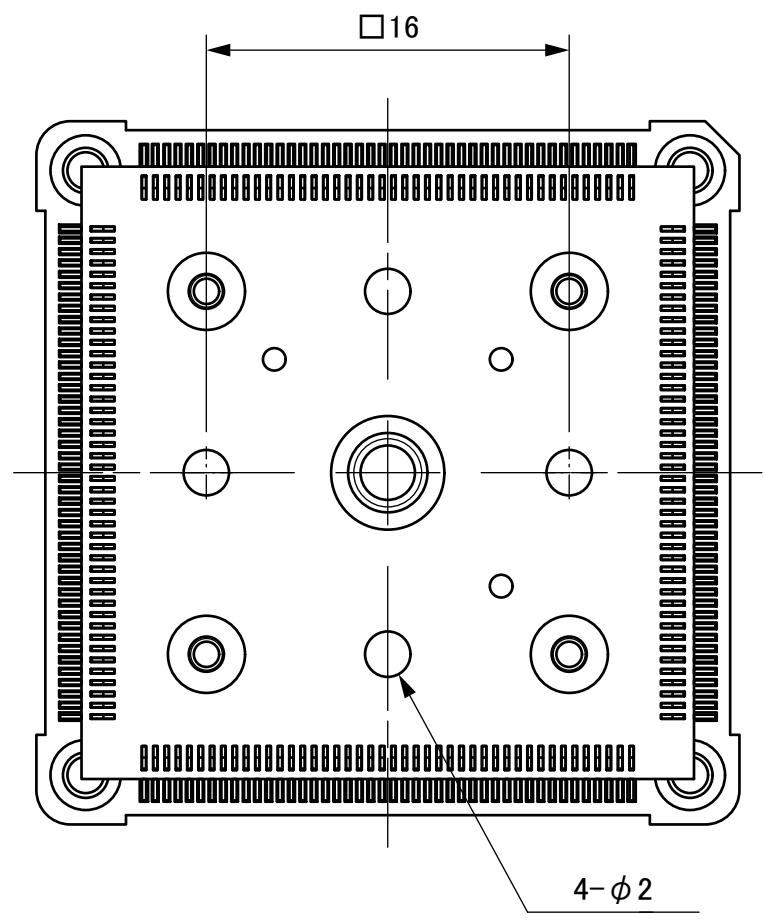


Detail of A



Part No.	NQPACK176SD-ND
IC package	Square
Pin count	176Pin
Lead pitch	0.5mm
Unit	mm
Design / Date	M.Miura / Jul.10.'07
<i>TET</i> TOKYO ELETECH CORP.	