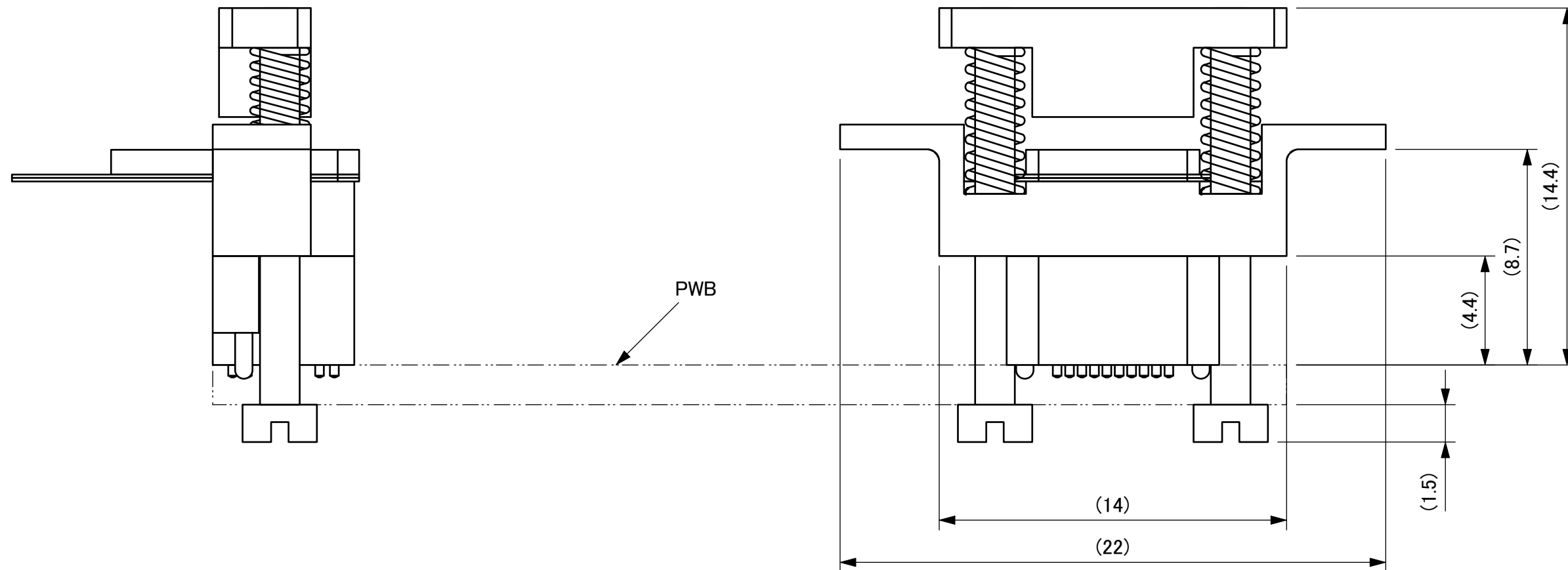


Part No.	SICA20C20Y-GA102
Unit	mm
Design / Date	M.Miura / Jul.22.'10
<i>TET</i> TOKYO ELETECH CORP.	



Note)
 1.Applicable PWB thickness
 $t = 1.4 \sim 2.0\text{mm}$

Part No.	SICA20C20Y-GA102
Unit	mm
Design / Date	M.Miura / Jul.22.'10
<i>TET</i> TOKYO ELETECH CORP.	