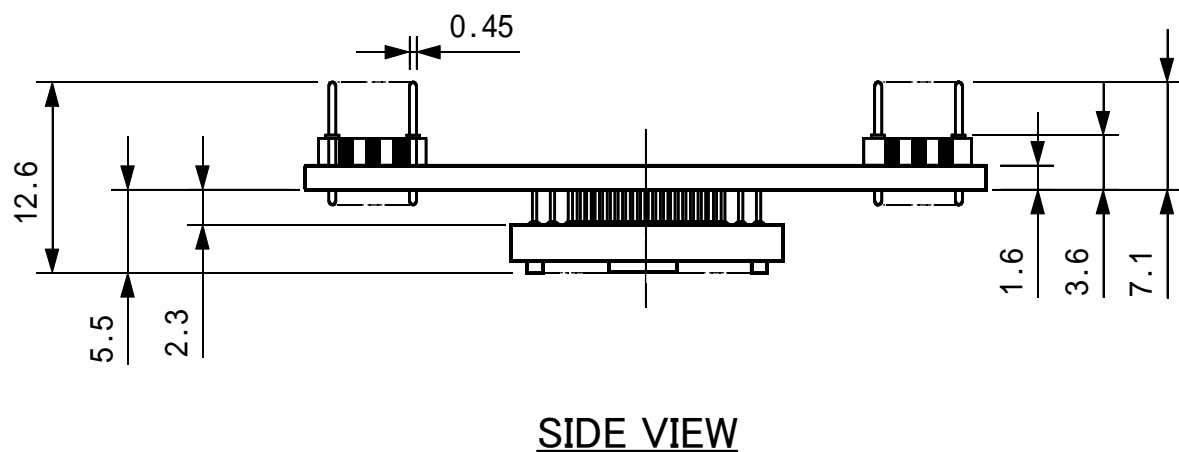
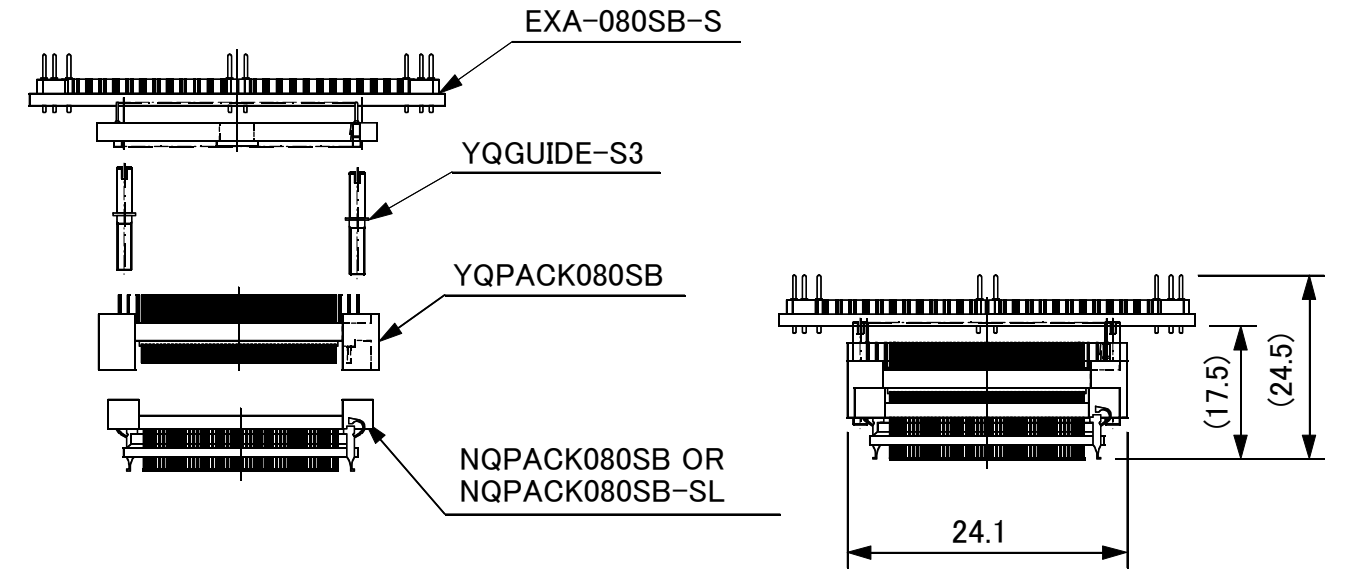


TOP VIEW

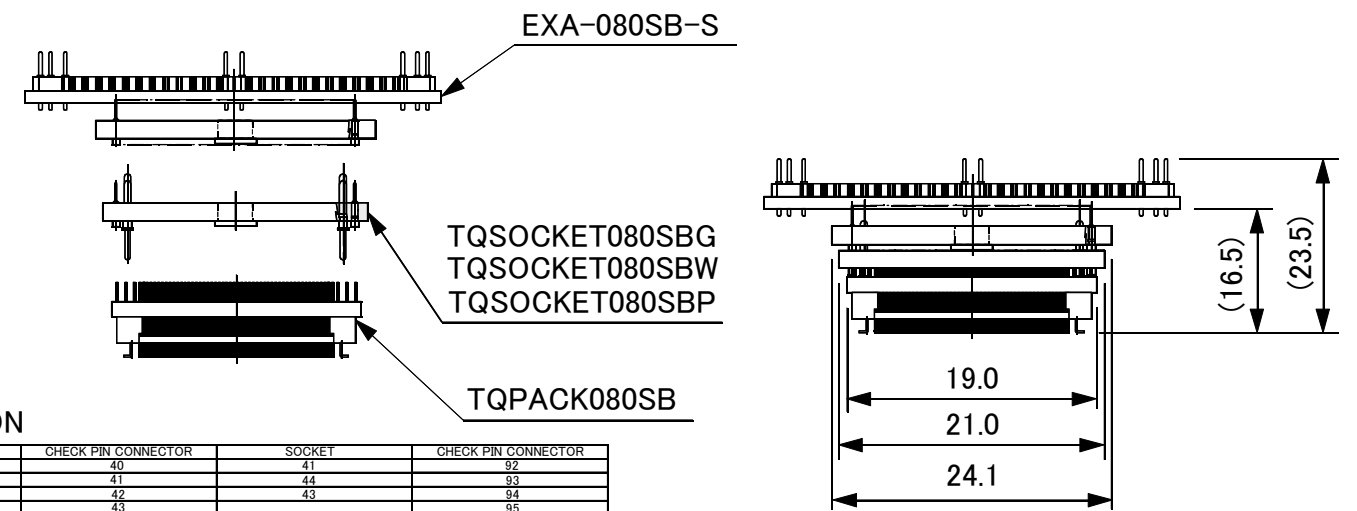


SIDE VIEW

NQPACK Application



TQPACK Application



CONNECTION

SOCKET	CHECK PIN CONNECTOR	SOCKET	CHECK PIN CONNECTOR
1	40	41	92
2	41	42	93
3	42	43	94
4	43	44	95
5	44	45	96
6	45	46	97
7	46	47	98
8	47	48	99
9	48	49	100
10	49	50	101
11	50	51	102
12	51	52	103
13	52	53	104
14	53	54	1
15	54	55	2
16	55	56	3
17	56	57	4
18	57	58	5
19	58	59	6
20	59	60	7
21	60	61	8
22	61	62	9
23	62	63	10
24	63	64	11
25	64	65	12
26	65	66	13
27	66	67	14
28	67	68	15
29	68	69	16
30	69	70	17
31	70	71	18
32	71	72	19
33	72	73	20
34	73	74	21
35	74	75	22
36	75	76	23
37	76	77	24
38	77	78	25
39	78	79	26
40	79	80	27
41	80	81	28
42	81	82	29
	82	83	30
	83	84	31
	84	85	32
	85	86	33
	86	87	34
	87	88	35
	88	89	36
	89	90	37
	90	91	38
	91	2	39

GND:7,8,13,59,60

Accessories: Guide pin (YQGUIDE-S3)

Part No.	EXA-080SB-S
IC package	Square
Pin count	80pin
Lead pitch	0.65mm
Unit	mm
Design / Date	H.Suzuki/Aug.08.'06
TET TOKYO ELETECH CORP.	