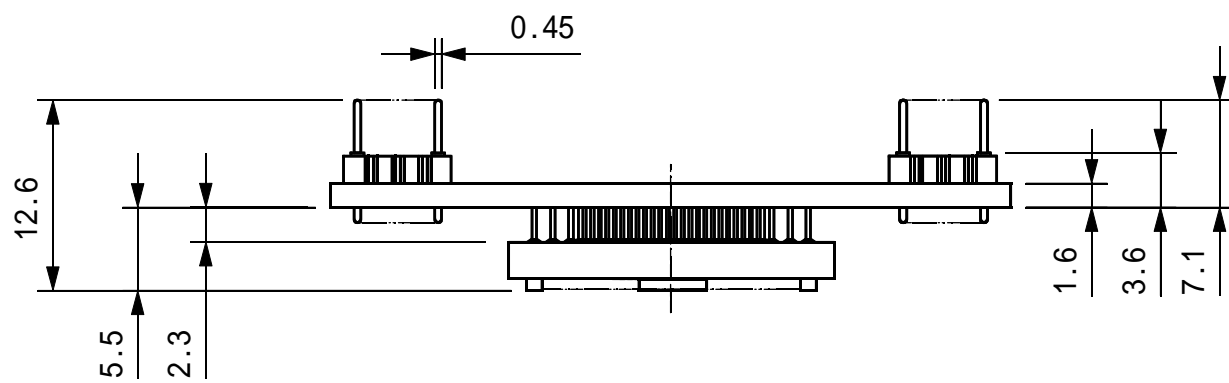
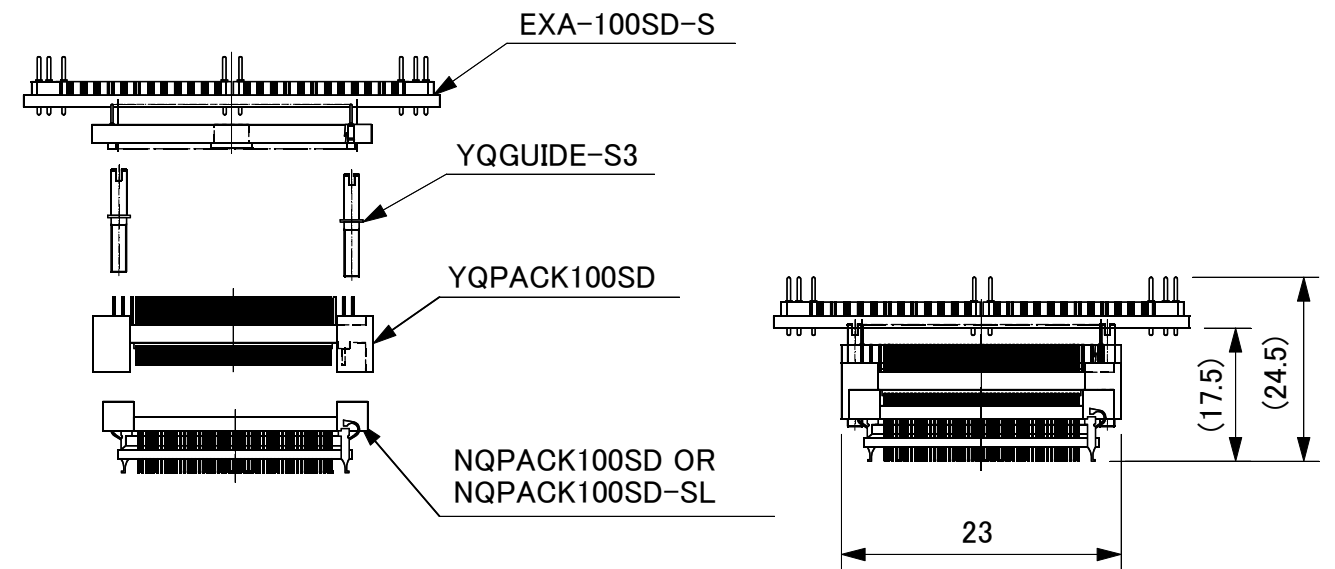


TOP VIEW

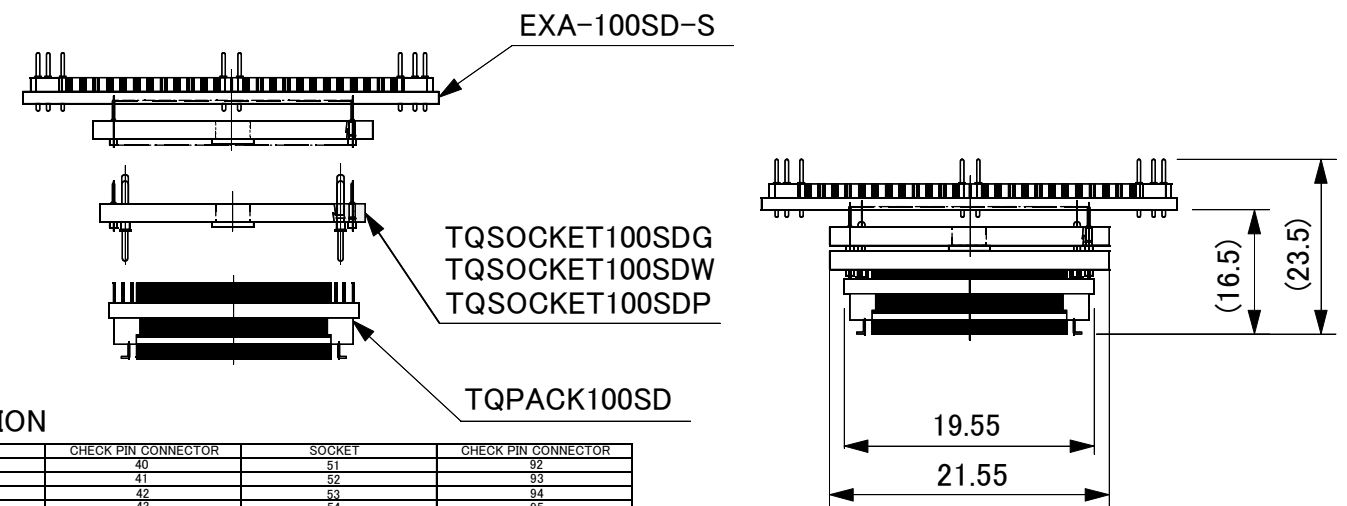


SIDE VIEW

NQPACK Application



TQPACK Application



CONNECTION

SOCKET	CHECK PIN CONNECTOR	SOCKET	CHECK PIN CONNECTOR
1	40	51	92
2	41	52	93
3	42	53	94
4	43	54	95
5	44	55	96
6	45	56	97
7	46	57	98
8	47	58	99
9	48	59	100
10	49	60	101
11	50	61	102
12	51	62	103
13	52	63	104
14	53	64	1
15	54	65	2
16	55	66	3
17	56	67	4
18	57	68	5
19	58	69	6
20	61	70	9
21	62	71	10
22	63	72	11
23	64	73	12
24	65	74	13
25	66	75	14
26	67	76	15
27	68	77	16
28	69	78	17
29	70	79	18
30	71	80	19
31	72	81	20
32	73	82	21
33	74	83	22
34	75	84	23
35	76	85	24
36	77	86	25
37	78	87	26
38	79	88	27
39	80	89	28
40	81	90	29
41	82	91	30
42	83	92	31
43	84	93	32
44	85	94	33
45	86	95	34
46	87	96	35
47	88	97	36
48	89	98	37
49	90	99	38
50	91	100	39

GND:7,8,59,60

Part No.	EXA-100SD-S
IC package	Square
Pin count	100pin
Lead pitch	0.5mm
Unit	mm
Design / Date	H.Suzuki/Aug.08'06
TET TOKYO ELETECH CORP.	