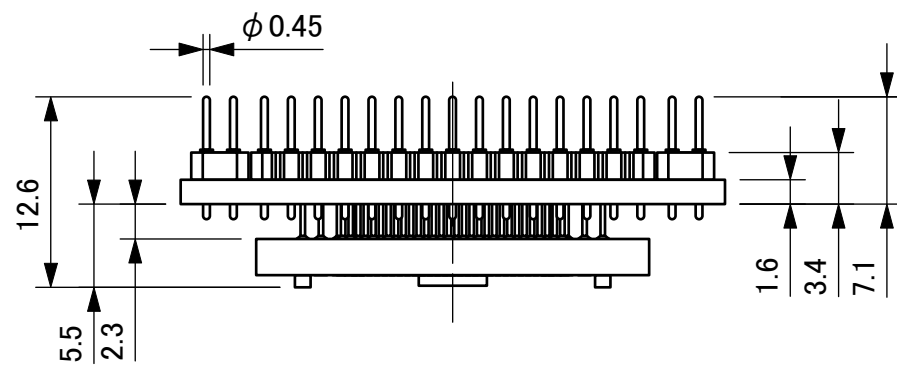
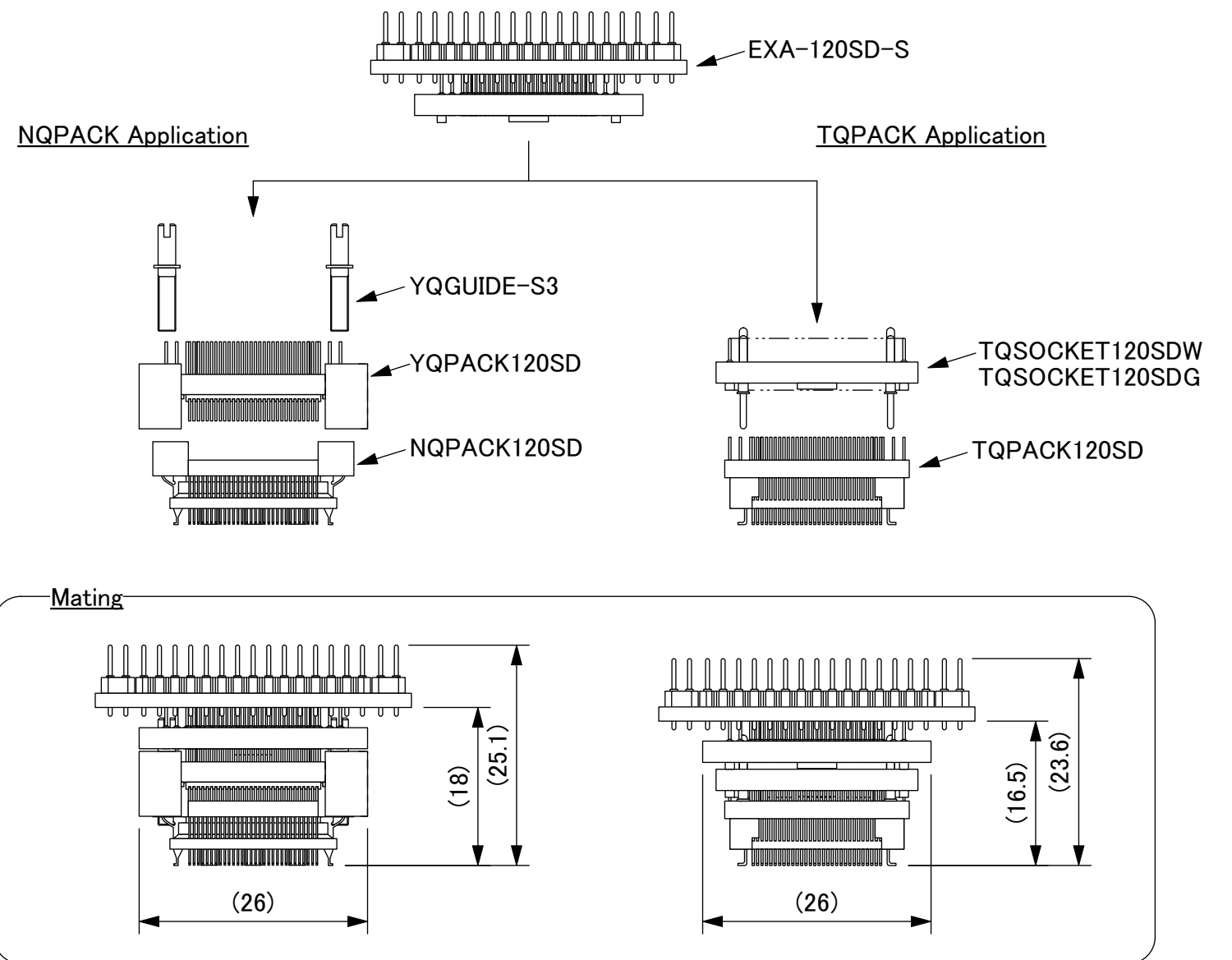


TOP VIEW



SIDE VIEW



CONNECTION

YQSOCKET	CHECK PIN CONNECTOR
1	1
2	2
3	3
4	4
5	5
.	.
.	.
.	.
116	116
117	117
118	118
119	119
120	120

Accessories : Guide pin (YQGUIDE-S3)

Part No.	EXA-120SD-S
IC package	Square
Pin count	120pin
Lead pitch	0.5mm
Unit	mm
Design / Date	M.Miura/Mar.15.'12
TET TOKYO ELETECH CORP.	