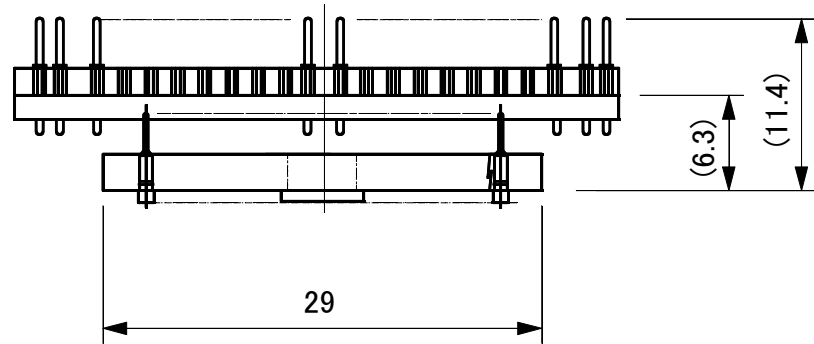
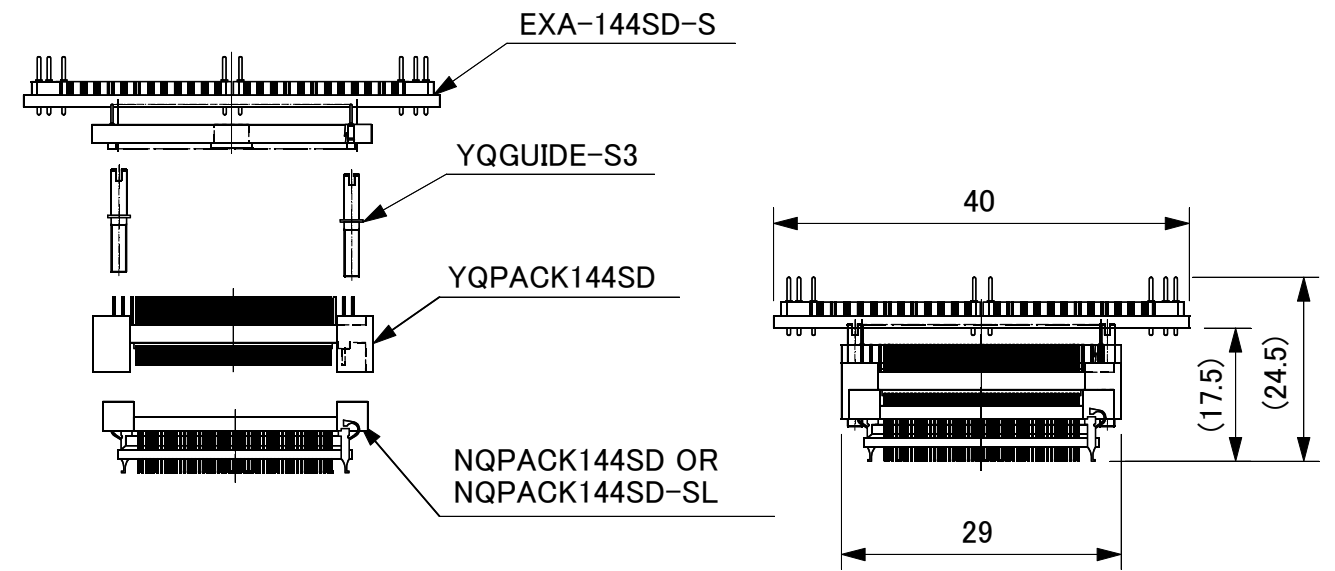


TOP VIEW

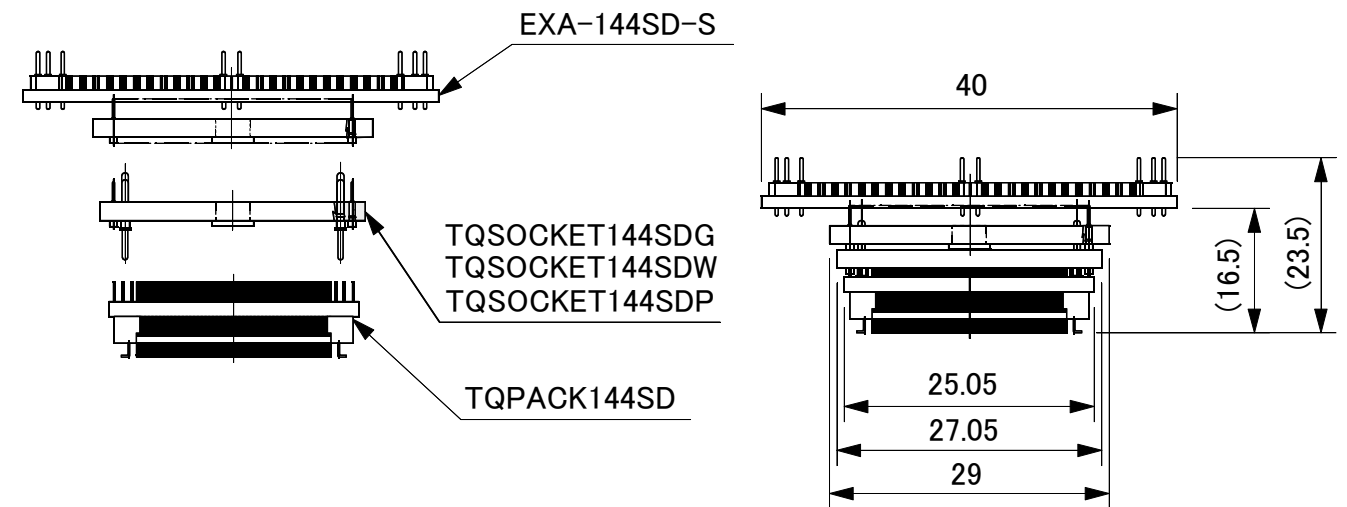


SIDE VIEW

NQPACK Application



TQPACK Application



CONNECTION

SOCKET	CHECK PIN	CONNECTOR
1	→	1
⋮		⋮
144	→	144

Part No.	EXA-144SD-S
IC package	Square
Pin count	144pin
Lead pitch	0.5mm
Unit	mm
Design / Date	H.Suzuki/Aug.08.'06
TET TOKYO ELETECH CORP.	