

CHECK PIN ADAPTER

CONNECTION

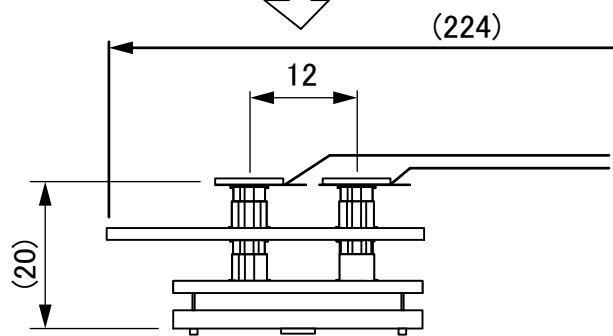
YQSOCKET	CHECK PIN
1	→ 1
⋮	→ ⋮
100	→ 100

Recommended a Connector of CHECK PIN ADAPTOR

* JC ELECTRONICS CORPORATION

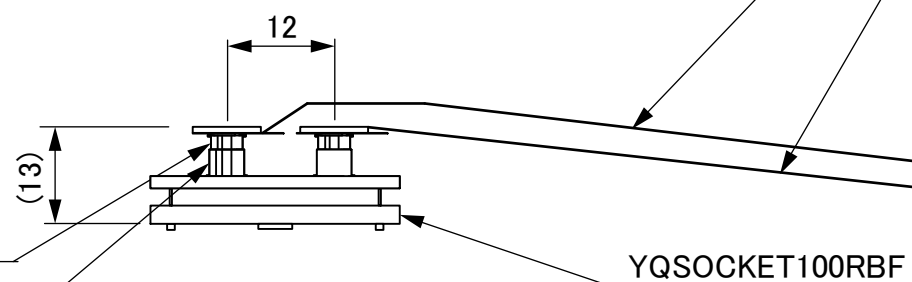
• PLUG: ISS-D30-G081KO-T018 (2 PIECES)
ISS-D40-G081KO-T018

• SOCKET: SGST-D30-N14GT (2 PIECES)
SGST-D40-N14GT

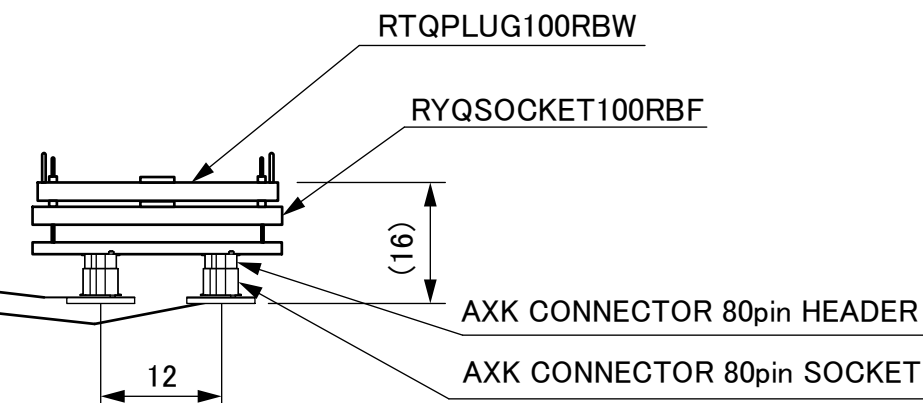


AXK CONNECTOR 80pin HEADER

AXK CONNECTOR 80pin SOCKET



YQSOCKET100RBF

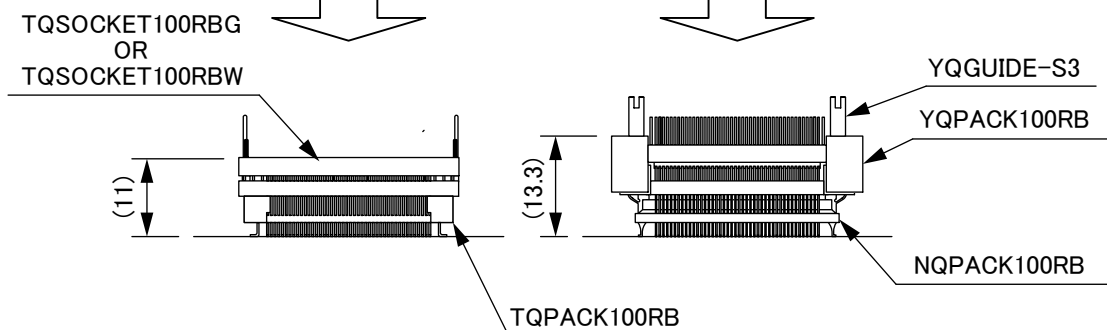


RTQPLUG100RBW

RYQSOCKET100RBF

AXK CONNECTOR 80pin HEADER

AXK CONNECTOR 80pin SOCKET



TQSOCKET100RBG
OR
TQSOCKET100RBW

YQGUIDE-S3

YQPACK100RB

NQPACK100RB

TQPACK100RB

ACCESSORIES: GND WIRE (2 PIECES)

Part No.	TEC-100RB-KC
IC package	Rectangle
Pin count	100pin
Lead pitch	0.5mm
Unit	mm
Design / Date	Y.Oota/Feb.27.'06
<i>TET</i> TOKYO ELETECH CORP.	