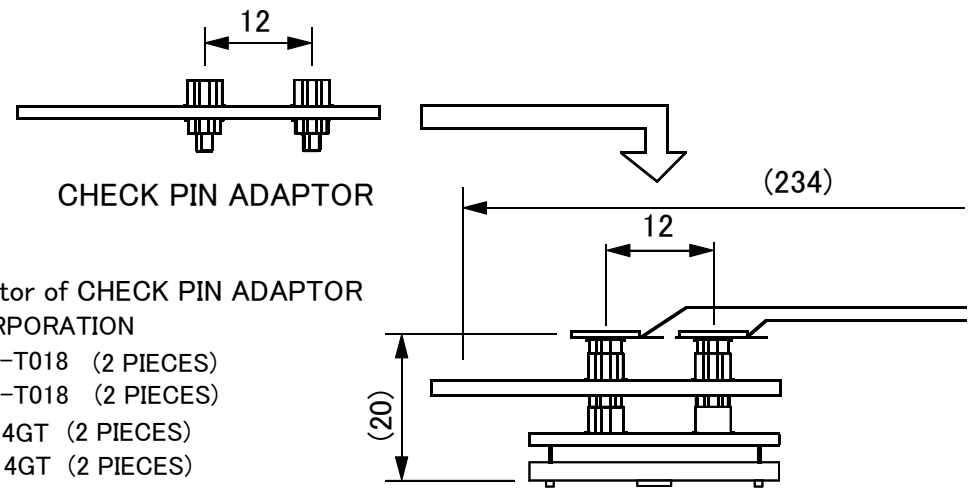
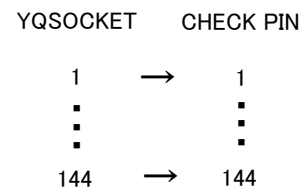
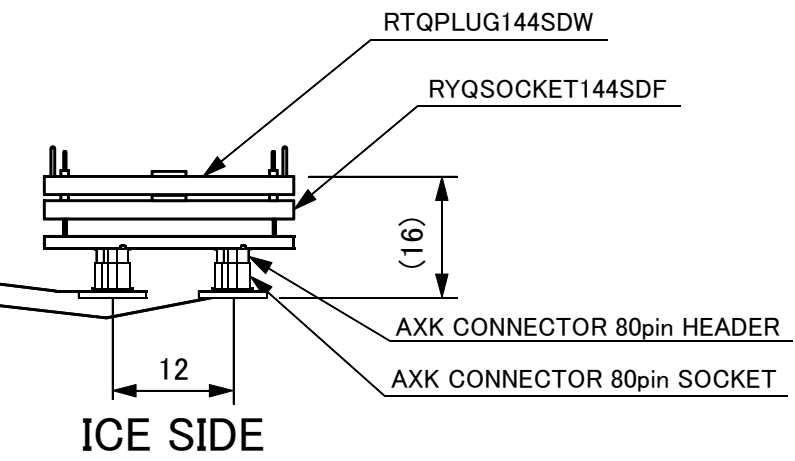
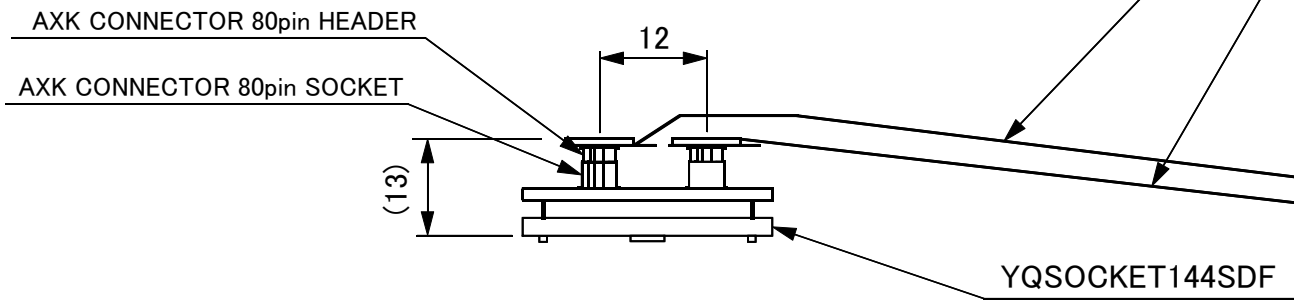


**CONNECTION**

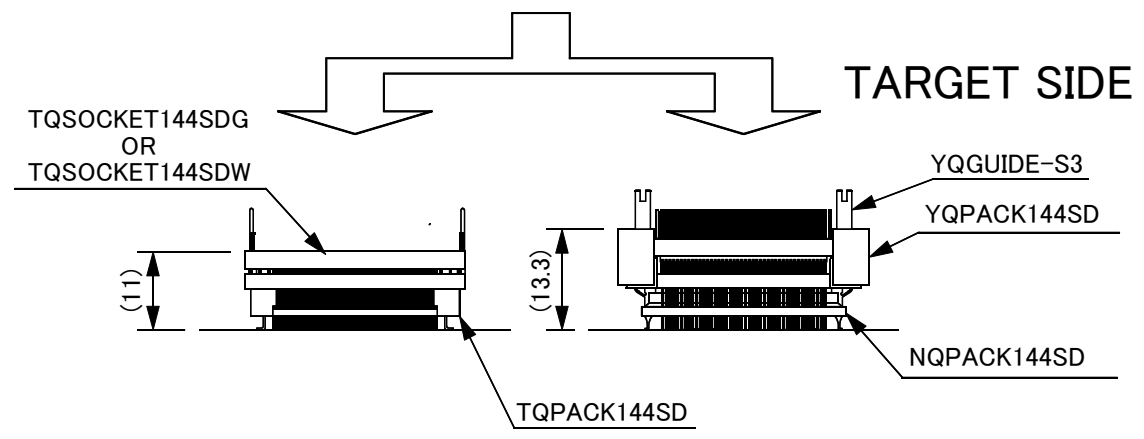


Recommended a Connector of CHECK PIN ADAPTOR  
\* JC ELECTRONICS CORPORATION

- PLUG: ISS-D40-G081KO-T018 (2 PIECES)  
ISS-D32-G081KO-T018 (2 PIECES)
- SOCKET: SGST-D40-N14GT (2 PIECES)  
SGST-D32-N14GT (2 PIECES)



ACCESSORIES: GND WIRE (2 PIECES)



Part No.	TEC-144SD-KC
IC package	Square
Pin count	144pin
Lead pitch	0.5mm
Unit	mm
Design / Date	H.Suzuki/Oct.17.'06
<b>TET</b> TOKYO ELETECH CORP.	