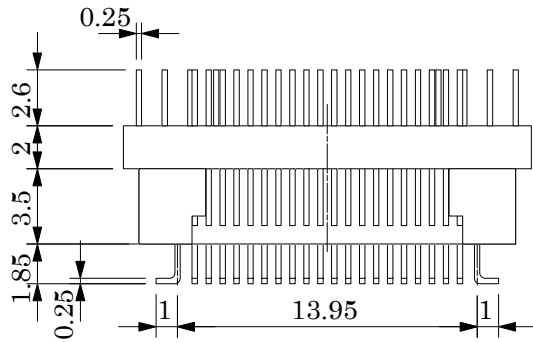


BOTTOM VIEW



Part No.	TQPACK100RB	
IC package	Rectangle	
Pin count	100Pin	
Lead pitch	0.65mm	
Unit : mm	Design : M.H	
TET TOKYO ELETECH CORP.		