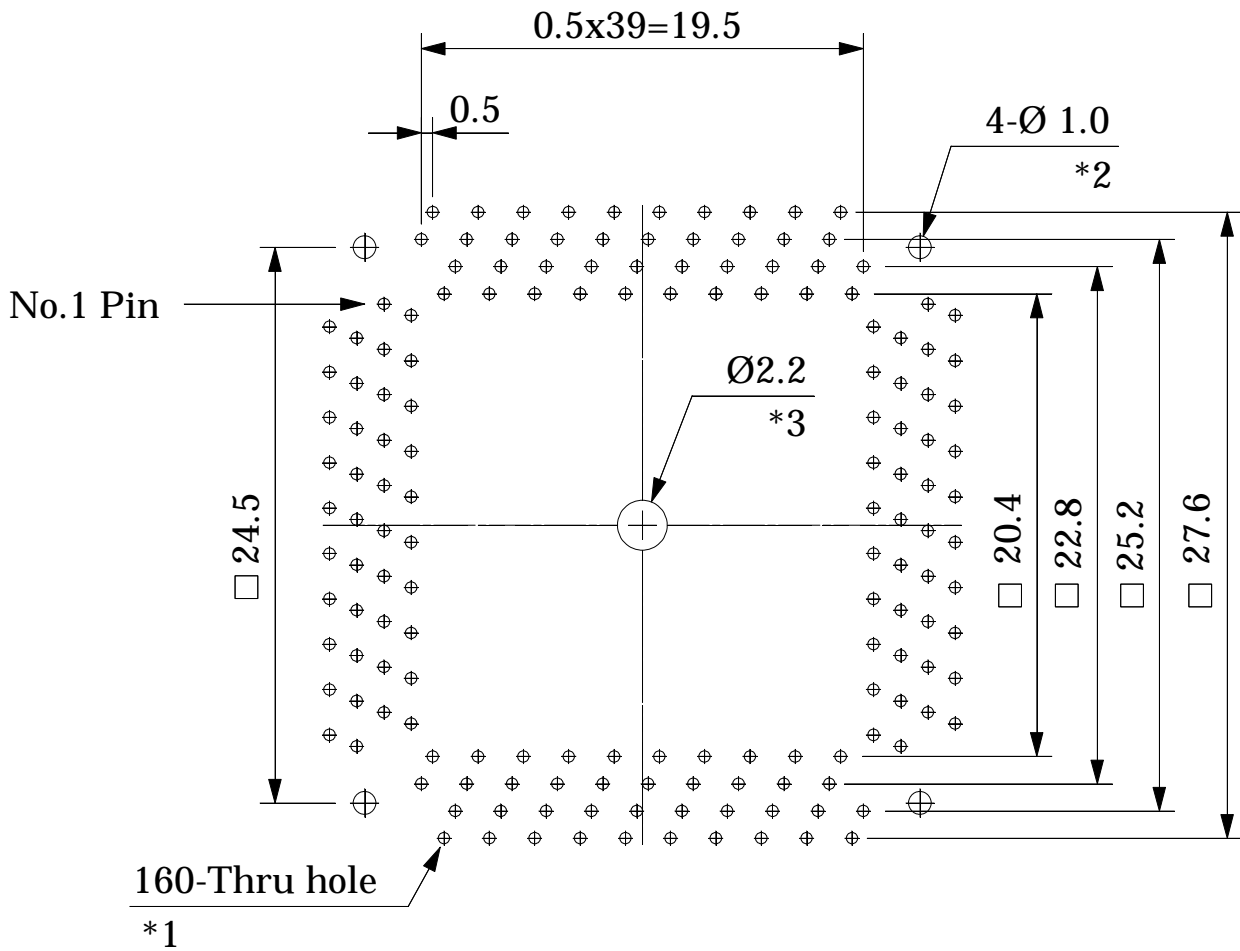


Recommended a PWB layout of TQSOCKET160/176SD Series



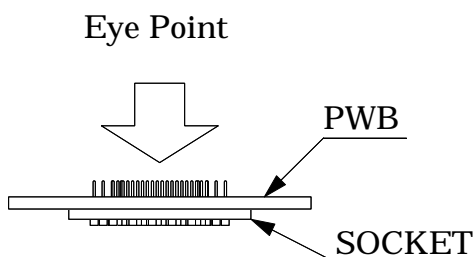
NOTES:

*1 \oplus mark is through hole.

The diameter is 0.5mm after plating copper on the hole.

*2 TQSOCKET guide pin hole and location.

*3 Screw hole and location for fastening TQSOCKET.



Part No.	TQ160/176SD	
IC package	Square	
Pin count	160Pin	
Lead pitch	0.5mm	
Unit : mm	Design : M.H	
TET TOKYO ELETECH CORP.		